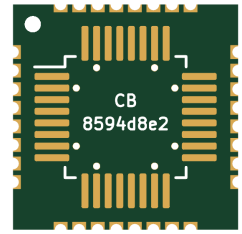


Chip-Bridge Technologies

CB TQFP-LQFP-32-A

Host: 32-TQFP 7 x 7mm — Guest: 32-LQFP 5 x 5mm



Adapter Interfaces

Table 1: Adapter Parameters

| Parameter | Host | Guest | Unit |
|--------------|-------|-------|------|
| Package | TQFP | LQFP | - |
| Pin Count | 32 | 32 | - |
| Package Dim. | 7 x 7 | 5 x 5 | mm |
| Pitch | 0.8 | 0.5 | mm |

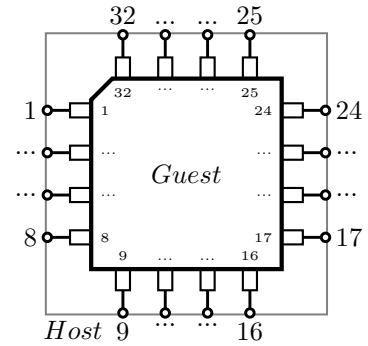


Figure 1: Adapter Pinout

Features

- Drop-in adapter; Install 32-LQFP 5 x 5mm on a 32-TQFP 7 x 7mm footprint
- Low profile adapter, 0.8mm
- Supports common manufacturing methods
- 1:1 Pinout Configuration

General Description

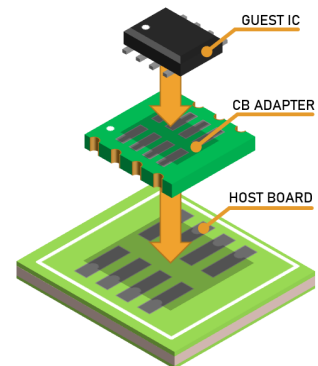
This device is a drop-in footprint to footprint adapter for your existing PBC design. Each Chip-Bridge Technologies adapter is designed to fit on the stated **Host Footprint**, and provide a **Guest Footprint** with electrical connections for your replacement IC.

Visit chipbridgetech.com/products to find our full product catalog. If you have questions or would like to request a design specific to your application, please contact our support team at support@chipbridgetech.com.

Chip-Bridge Technologies Adapters are a patent pending design.

| Host Pins | Guest Pins |
|-----------|------------|
| 1 | 1 |
| 2 | 2 |
| 3 | 3 |
| 4 | 4 |
| ... | ... |
| 29 | 29 |
| 30 | 30 |
| 31 | 31 |
| 32 | 32 |

Table 2: Pin Configuration



Mechanical Specifications

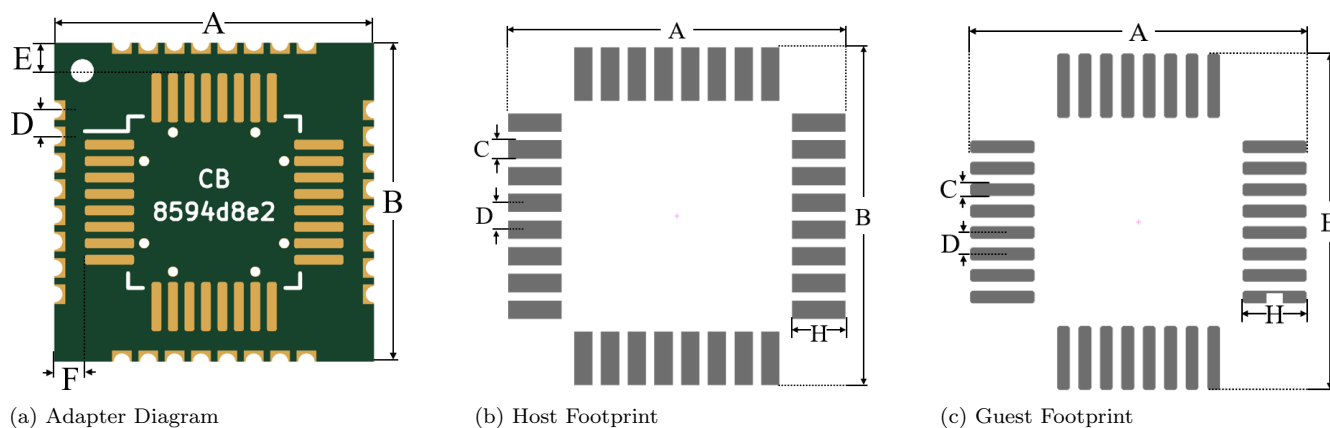


Figure 2: Mechanical Outline

Print version not to scale.

Table 3: Mechanical Specification

| | Units | A | B | C | D | E | F | G | H | I |
|--------------------------------|-------|-------------|-------------|------|-----|-------|-------|---|-----|---|
| Adapter ¹ | mm | 9.7 ± 0.127 | 9.7 ± 0.127 | - | 0.8 | 0.925 | 0.925 | - | - | - |
| Host Footprint ^{1,2} | mm | 1.10 | 1.10 | 0.55 | 0.8 | - | - | - | 1.6 | - |
| Guest Footprint ^{1,3} | mm | 7.85 | 7.85 | 0.3 | 0.5 | - | - | - | - | - |

¹ Tolerances ±0.1mm unless otherwise stated.

² Host IC Ref. Drawing: microchip.com/downloads/en/PackagingSpec/00000049BS.pdf

³ Guest IC Ref. Drawing: nxp.com/docs/en/package-information/SOT401-1.pdf

Trace Specifications

Table 4: Adapter Trace Specifications

| Parameter | Symbol | Min. | Typ. | Max. | Unit | Conditions |
|--------------------------|-----------------|----------|------|------|------|------------|
| Trace Resistance | R_{trace}^4 | 0.1 | 2.7 | 15.0 | mΩ | 20°C |
| Trace to Trace Clearance | $d_{clearance}$ | 150 ± 13 | | | μm | |

⁴ Calculated values.

Part Identifier

Printed Identifier: 8594d8e2

Datasheet Updates

You can find the latest datasheet at chipbridgetech.com/products.

Errata

1. v1.0: Initial Release
2. v1.1:
 - Add Errata section.
 - Update dead hyperlink to Host IC Reference Drawing.